

**STANDARD RANGE**



## RedSands Campers Two Person 4WD Campers

RedSands Campers offers a robust and easy to use camping product to experience the great outdoors. The design of these campers is based on years of camping experience and nothing has been forgotten. Travellers only need to pack their clothes and food, and they are free to explore the best locations Australia has to offer.

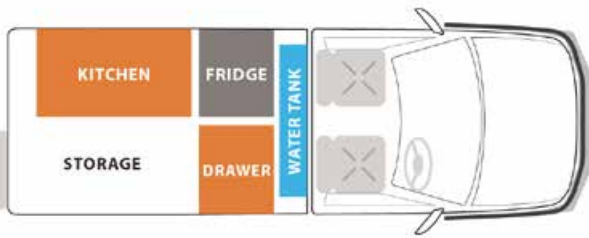
RedSands Campers believe in an all-inclusive offering. All this additional equipment is included at no extra cost. We also strive to ensure our equipment is easy to use, well maintained and safe.

**Depots:** Perth, Broome, Darwin, Adelaide.

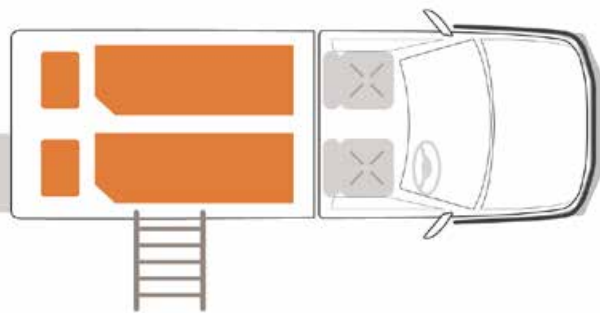
### Vehicle Specifications

- Toyota Hilux 4WD (3-5 years old)
- Single cab
- Automatic transmission
- Turbo diesel engine
- High and low range four wheel drive
- Air conditioning
- 10-12 Litres per 100km fuel consumption
- 142 Litre long-range fuel tank
- Power steering
- 5 star ANCAP safety rating
- All terrain tyres
- Two spare tyres
- USB input
- Satellite navigation system (GPS unit)
- 4WD map and atlas
- Overall length 5.2m
- Overall height 2.6m
- Overall width 2.0m
- Upgraded off-road suspension
- Snorkel
- Dual battery system
- Under bonnet air compressor
- Bull bar
- Recovery equipment
- 24 hour roadside assistance
- Reversing camera
- High visibility side mirrors
- Bluetooth audio

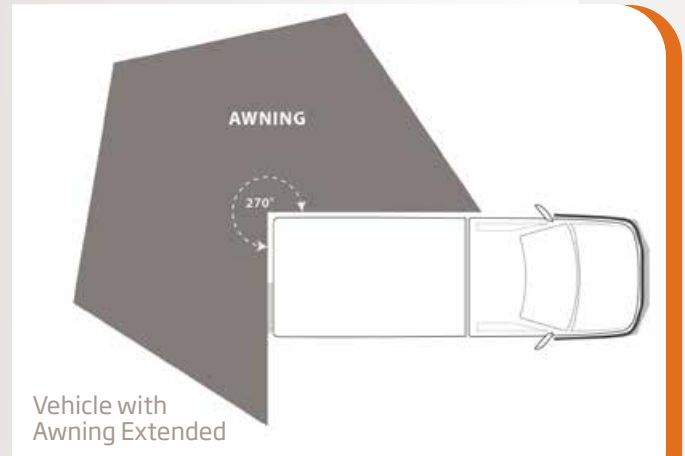
## Vehicle Plan



Day Configuration



Night Configuration



Vehicle with  
Awning Extended

## Camping Specifications

- Two person James Baroud Roof Top Tent (Bed size 1.98m x 1.4m)
- Satellite emergency beacon
- Two tables
- Two comfortable camping chairs
- Portable camp shower
- LED lighting with remote control
- Power cord
- Bucket
- Mallet
- Utility light (12V)
- Power management system (for fridge, lights, chargers)
- 270 degree awning for shade/shelter
- Pillows, sheet, blanket, doona, doona cover
- Towels for each passenger
- Large storage area in canopy
- Shovel
- First-aid kit
- Tool kit
- Step ladder
- Water hose
- Awning straps and pegs

## Kitchen Specifications

- In-built kitchen unit with fold down table
- Two burner stove
- Two gas bottles (2kg each)
- LED lighting over kitchen unit
- 40 Litre Engel fridge
- 80 Litre water tank
- Fire extinguisher
- USB charging points above kitchen unit
- Dry food pantry
- Crockery, cutlery, saucepans, frypan
- Wine glasses, cups, mugs
- Stay sharp knife, grater, wooden spoon, tongs
- Can opener, potato peeler, scissors
- Kettle
- Chopping board, colander
- Dish washing essentials
- Dish washing bowl, draining board

## Additional Equipment for Hire

- Satellite phone
- HEMA electronic 4WD map